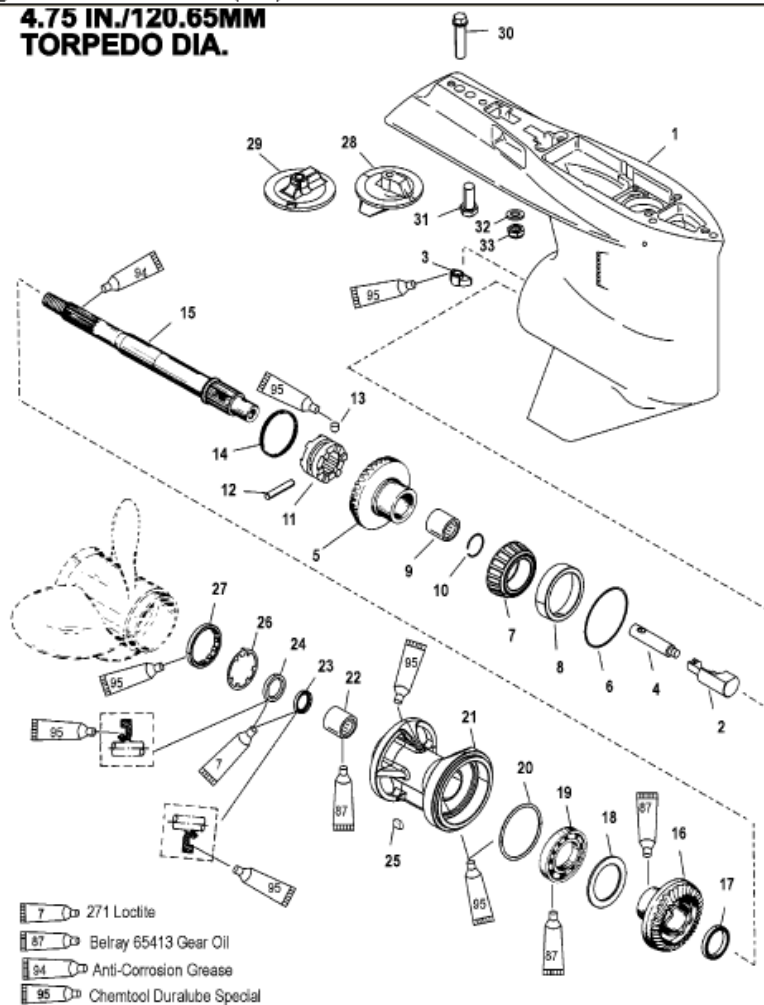


**4.75 IN./120.65MM
 TORPEDO DIA.**



Parts List

Ref	Class	Part	Description	Qty	Comment	Footnote
0	1647	9148T84	GEAR HOUSING-COMPLETE	1	(LONG)(1.87:1)	
0	1647	9148T85	GEAR HOUSING-COMPLETE	1	(X-LONG)(1.87:1)	
0	1647	9148T81	GEAR HOUSING-COMPLETE	1	(LONG)(2:1)	
0	1647	9148T82	GEAR HOUSING-COMPLETE	1	(X-LONG)(2:1)	
1	1647	9148T93	GEAR HOUSING	1	(BASIC)	
2		89594A 1	CAM FOLLOWER	1		24
3		78956 2	SHIFT CAM	1		24
4		828287	ROD	1		24
5	43	878613A 2	FORWARD GEAR	1	(1.87:1 - 15/28)	22
5	43	878615A 1	FORWARD GEAR	1	(2:1 - 14/28)	
6	15	44491A 1	SHIM SET	AR		22,23
7	31	30894A 1	TAPERED ROLLER BEARING	1		22
8		NSS	CUP	1		22
9	31	30895T	NEEDLE BEARING	1		22,23
10	53	856823	RETAINING RING	1		22
11	52	859340T	CLUTCH	1		24
12	17	30632	CROSS PIN	1		24
13	17	828356	DETENT PIN	1		24
14	24	30893	SPRING	1		24
15	44	94148	PROPELLER SHAFT	1		
16	43	828175A 1	REVERSE GEAR	1	(1.87:1 - 15/28)	
16	43	828177A 1	REVERSE GEAR	1	(2:1 - 14/28)	
17	23	824108	THRUST SPACER	1		
18		68100 1	THRUST RING	1		23
19	30	88957T	BALL BEARING	1		23
20	25	31534	O-RING	1		2,15,23
21		43567T 1	BEARING CARRIER ASSEMBLY	1		
22	31	30956T	ROLLER BEARING	1		23
23	26	14077	OIL SEAL (INSIDE)	1		
24	26	76868	OIL SEAL (OUTSIDE)	1		15,23
25	28	30281	KEY	1		
26	14	79447	TAB WASHER	1		23
27		79448	COVER	1		
28		31640T 5	TRIM TAB	1		
29		76214Q 5	ANODIC PLATE	1		
30	10	806327	SCREW (1-3/4 IN.)	1		
31	10	65210	SCREW (3/8-16 x 1 IN.)	1		
32	12	45176	WASHER	2		
33	11	34933	NUT	2		
-	26	89238A 2	GEAR HOUSING SEAL KIT	1		23
-	42	892315T 2	UNION/FORWARD GEAR ASSY	1		